

CORRAL6021A

RFID middle range integrative reader

User Manual

First: Brief introduction of CORRAL6021A Reader

- 1: Use of CORRAL6021A Reader
- 2: Main function of CORRAL6021A Reader
- 3: Technical parameter

Second: the configuration and interface instruction

1. Configuration Instruction of every part of CORRAL6021A Reader
2. Instruction of the interface
3. Tag operation
4. Work mode
5. Interfacing identification

Third: Settling of CORRAL6021A reader

Fourth: Fitting of CORRAL6021A Reader

1. Fitting mode of CORRAL6021A Reader
2. Fixture and height adjustment of CORRAL6021A Reader
3. Azimuth angle adjustment of CORRAL6021A Reader

Fifth: demo program instruction of CORRAL6021A Reader

Sixth: The second exploitation of CORRAL6021A Reader

Seventh: Contact mode

First: brief instruction of CORRAL6021A Reader

The products can be compatible with multi-protocol, small volume, quickly read and multi-tag identification. The round- polar antenna is no limit of direction for tag, water proof, Meanwhile, it can be used widely in RFID systems, the mainly applying sites are

- 1 Logistics and warehouse Management: goods flow, warehouse management, and the flowing management of mail, parcel, and luggage.
- 2 Intelligent parking Management: Parking management and automatic charge
- 3 Productive lines Management: Production process fixed identification
- 4 Product counterfeit-proof inspection Using memorizer's write-protect functions inside tags to identify true-false of products

5) Other fields: widely used in club management, library, school, consumption management, time management, dinner management and pool management

1. the use of CORRAL6021A Reader

It can be used for goods identification and data collection, specially used widely in the following areas with its speciality.

- 1) Transportation management: road and, railway transportation management and container transportation management and so on.
- 2) motor vehicles management: use it to police station and transport department supervise and manage the motor vehicles
- 3) road and bridge charge: as the product is able to read the tag data quickly in long distance, road rate and bridge can be charged without stopping. Vehicles.
- 4) Customs management: the management for goods to pass and transit the customs and vehicles.

Logistics and warehouse Management: Goods flow, warehouse management, and the flowing management of mail, parcel, luggage.

- 5) Parking management: in order to make management and charge automation.
- 6) Doors control management: including vehicles and people to pass in and out management.
- 6) Craft work manufacture flow: supervise parts in the whole manufacture flow.

2 the main function of CORRAL6021A Reader

- 1) A waken the tag. Only the tags that be awaken can communicate with the reader and prevent the disturbing of those tags out of the system thereby confirm the credibility and nicety of the exchange information between the reader and the tag of the system.
- 2) read the tag data: not only can it read the ID number of the tag, but also the data of the appointed tag storage area; not only can it read the single tag data, but also multi-tag data of the antenna wave synchronously.
- 3) read-in tag data: it can read-in data to the appointed tag storage area.
- 4) It can connect with the control equipment with standard W26 or W34 interface without exploitation, therefore convenient for use.
- 5) Connect the controller of PC machine through the communication interface to process the data communication and exchange, and to provide SDK exploitation bag, so as to make customers exploit for use again.

3. Technology parameter of the CORRAL6021A

- 1) operation frequency: China standard (920~925MHz) , FCC standard (902~928MHz) or Others frequency band can be tailor-made as per required

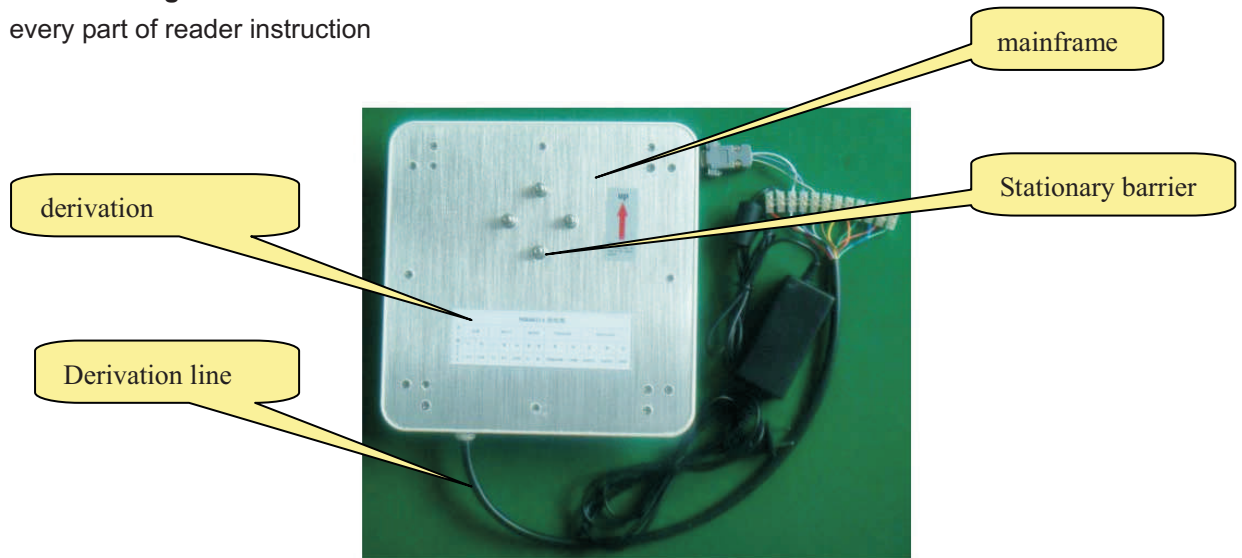
Card-reading distance: identify distance and adjust range: 1 ~ 4 meters.

- 2) card-reading sense twin pole mode technology
- 3) card-reading time: single tag 54ID no. < 6ms
- 3) Operation voltage: DC+9V
- 4) Operation temperature: - 20 °C ~ +80 °C
- 5) Storage temperature: - 40 °C ~ +125 °C

Second: the configuration and interface instruction of CORRAL6021A Reader

Second: configuration and interface instruction of CORRAL6021A

1 every part of reader instruction



Picture2 configuration instruction of CORRAL6021A

- 1) instruction of every part of the reader
 - Derivation instruction of the reader
 - The derivation line instruction of the reader
 - Mainframe of the reader
 - The stationary barrier of the reader
- 2) interface instruction of the reader

The hookup of CORRAL6021A												
interface	Electric source		RS232			RS485		TRIGGER		WIEGAND		
Color	red	black	white	purple	gray	brown	yellow	orange	green	blue	pink	green
Define	+9V	GNE	TX	RX	GND	A+	B-	TRIGGER	GND	DATA0	DATA1	GND

2.1 RS232

The reader provide RS232 communication interface for connecting communication with control mainframe((commonly the PC machine),the data format of the RS232 interface is 8 data bits, a star bit and a stop bit, without parity bit; 9600, 19200, 38400, 57600 and 115200 are the choices for data modulus.RS232 communication interface support the fitting parameter, demonstration program, all the second exploitation bag function of the single communication of the reader.

2.2 RS485

Model A and B reader of DRF series provide RS485 communication interface, which can connect with interface of the PC machine, in the condition of using RS232, KS485 changer for changing, RS485 interface supports all functions that RS232 supports, besides, RS485 a interface for tag data output, when using theRS485 to upload tag data, it can choose three kins of modes for transmission.

Initiative uploading: upload data immediately when reader reads the tag.

Passivity uploading: it doesn't upload data when reader reads the tag, but wait until the mainframe to fetch data.

Reaponson transmission: after reader reads aoe tag, it will upload data repeated until receives the response velemen from the mainframe

How RS485 uploads data format is like the following tables:

frame head	address	address	Antenna	Tag data	frame stern	checkout
0x02	High byte	Low byte	One byte	octor (ASCII)	0x03	One byte

Thereinto, the method of checkout is for the difference checkout of all the frontal bytes

The mainframe to get the order frame format of data is like the following table showing:

Rame head	Identification	module	address	Order No.	framestern
0x09	0x5B	One byte	One byte	0x83	0x0D

The mainframe to get the response frame is like the following table showing:

frame	identification	module	address	Oreer NO.	frame stern
0x09	0x5B	One byte	One byte	0x82	0x0D

2.3 Wiegand interface

Reader supply one Wiegand data interface, users can choose Wiegand26 or Wiegand34 communication agreement, the data format of these two kinds of agreement is like the following table showing:

Table one Wiegand26 format

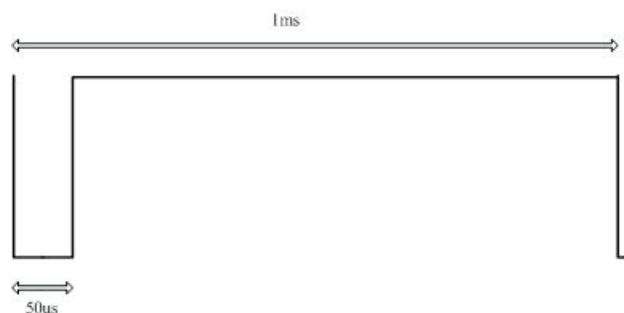
P0	The formal 12 digits	The latter 12 digits	P1
----	----------------------	----------------------	----

Thereinto, PO is the even of the formal 12 digits, PI is the odd of the latter 12 digits

P0	The formal 16 digits	The latter 16 digits	P1
----	----------------------	----------------------	----

Thereinto, POis the even of the formal 16digits,PI is the odd of the latter 16 digits

Wiegand interface is composed of 3 lines, the negative pulse of the first line indicates "0",another line indicates"1",and the third one is ground electrode. The typical format of every data is like the following picture showing. Of course, users can settle the data formal of the Wiegand interface according the special demand of the controller machine



In order to improve the of the reliability of data transmission ,the reader supply multi-transmission function, namely when reading one tag, the Wiegand interface will be multi-transmission in interval in some time. T he transmission tomes can be 1 to 3, the transmission interval can be settled when display software.

3 Tag operation

I.ISO18000-6B tag

- (1) multi-tag identification: search all the tags in the rang of antenna radicalization and read their octet UID
- (2) multi-tag reading: search all the tags in the rang of antenna radicalization and read the octet data from the beginning of the appointed address
- (3) single tag writing: write data of one tag at the appointed tag address
- (4) single tag locking lockdown the data of the appointed tag address. After that , it won't be overwritten
- (5) Inquire about the Single tag locking: inquire about the locking state of the appointed address.

II EPC GEN2 (ISO18000-6C) tag

- (1) **Multi-tag identification: search all the tags in the rang of antenna radicalization and read their EPC, the longest of EPC of EPCGENZ can reach 256 digits, now support 96 digits.**
- (2) **Single tag initialization: define the EPC longness of the tag, popularly 96 digits.**
- (3) **Single tag writing: read-in the EPC of the tag, one piece (16 digits) one time.**
- (4) **Single tag locking: lock down the EPC of the tag after that, the EPC of the tag can't be overwritten**
- (5) **Single tag destroying: destroy tag, after that ,the tag can't be used again**

4 Work mode

I Command read: in this work mode, reader works under the control of PC or other controller Reader can controller can communicate through RS232,RS485or one of the big net interfaces This kind of working support all the function that the second exploitation bag supplies.

II timing read: reader reads card in some cycle (can be settled), the data be read can be output through appointed communication interface. This mode is only for reading to the tag operation.

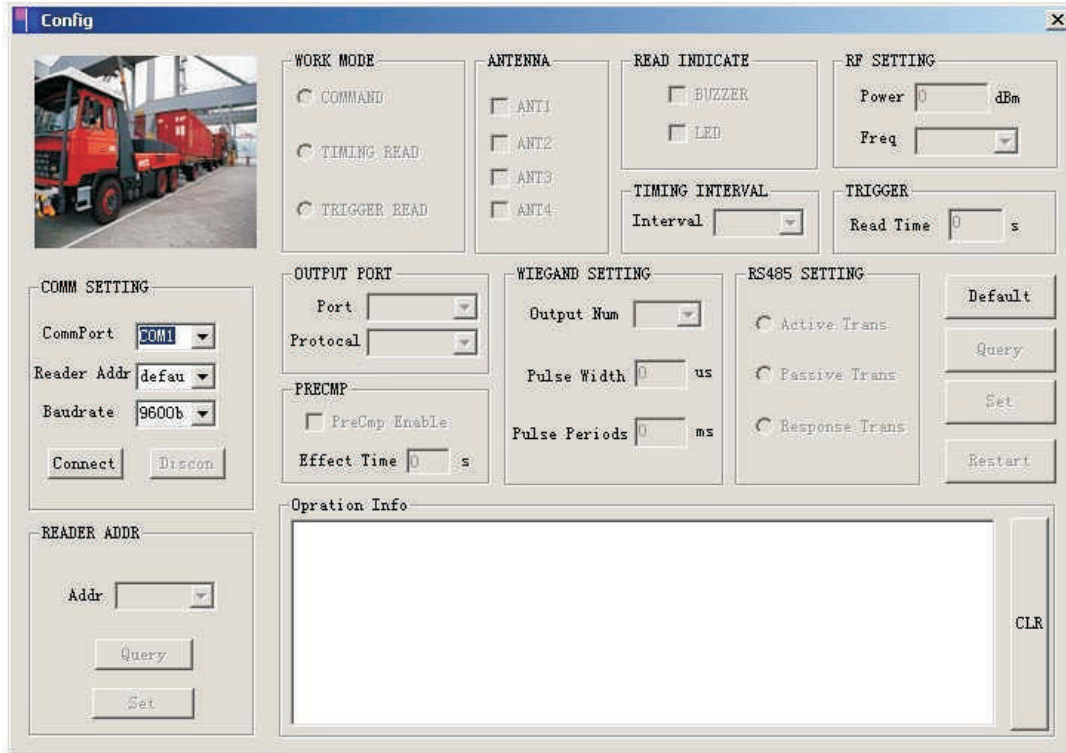
III overwrite working (TRIGGER READ when the touching off port inputs low voltage, reader begins to read card in cycle ,and shut off in a period of time.

5interfacing identification:

Interfacing identification is designed for reducing the prolixity of the data that reader uploads. If choosing the function, reader will only upload a set of data when reader reads the same card in multi-connection. Namely that if the interval time of interfacing reading two times exceeds the effective time, reader won't process interfacing identification. So users should choose it according special demand.

Third: the fitting of CORRAL6021Areader

Our company provides Configure exe programs for the fitting of the working parameter of the reader, the parameter fitting program is like the following picture

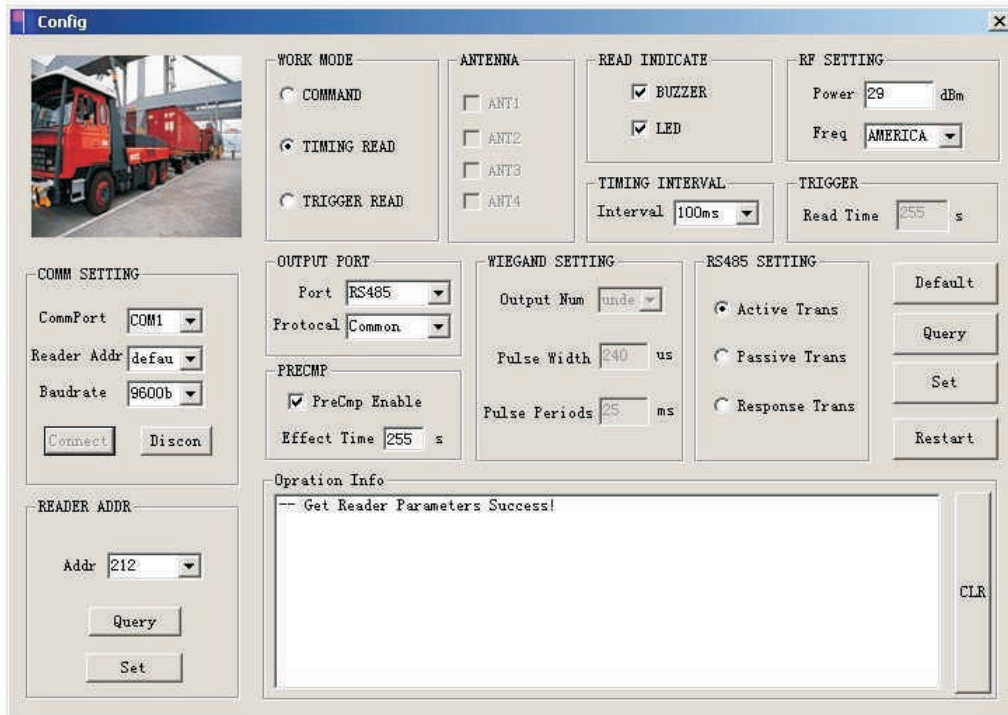


Picture 5 fitting software interface

1 interface setting

Interface setting includes interface choice, band rate setting and address choice of reader. The address of reader is from 1 to 240. Only choosing the right address, can reader establish communication. Besides, you can choose "default", which is fit for all reader, after clicking "Connect" button, PC and reader establish communication connecting.

After software and reader connecting, it reads the present working parameter of reader at once automatically. Interface after connecting is like the following picture indicated:



Picture sixth setting interface

3) Reader address rejigger



Picture 7 setting interface

If you want to amend the address of the reader, you can choose the new address under the frame of the amending address column of the reader. Then click the “set” button. The new address will be effective when reader reposition

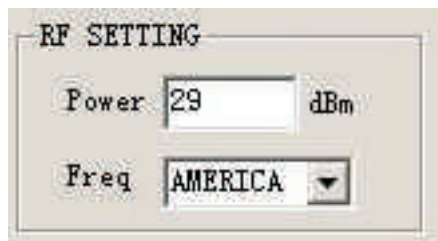
4) work mode choice



Picture8 setting interface

Users can configure the work mode of the reader through single choosing frame. When

choosing the command, reader can set radio frequency parameter and antenna (multicenter matching style) at the same time, and other part become gray. When choosing timing or touching off mode Reader can set the parameter of radio frequency timer and communication interface. If choosing touching off mode, it can set the parameter of the trigger. We will describe them one by on as the following.



Picture 9 setting interface

Users can set the power and frequency of the radio frequency according application need. The largest power parameter can be 30dBm.You can choose China standard (920MHZ~925MHZ) or FCC (902MHZ~928MHZ) as the frequency of radio frequency, other frequency bands need customize.

5) antenna setting

When using multicenter readers, you can choose antenna,, Choosing the corresponding antenna in the check box means antenna invocation.

6(Read indicate

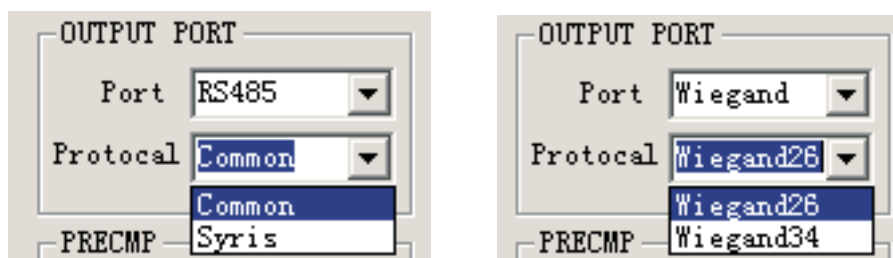
Buzzer and LED are optional, for reader to choose, users can choose them according to demand.

7) Timing interval

This frame includes setting the frequency of reading tag (namely setting time for cycle reading) and the interfacing identification. Setting time for cycle reading can be 10ms`1000ms.Users can choose interfacing identification and set the effective time for interfacing identification .If no need of setting effective time, fill in "0"instead.

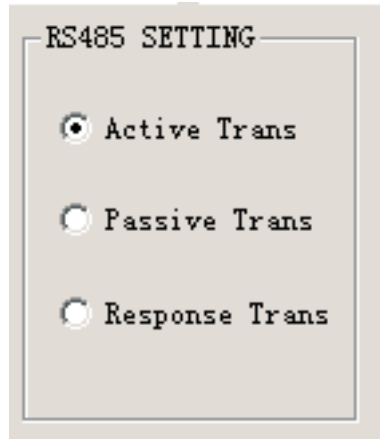
7) Communication out port parameter setting

Setting data out of communication pork and other agreement. When choosing RS485 communication agreement, Syms agreement and common transmission agreement are optional. The format of common transmission agreements are like the predescription. Please make reference to the Syms controller information about Syms agreement. When choosing Wiegand interface, you can choose Wiegand26 or Wiegand34 agreement.



Picture 10 interface setting

8) RS485 setting



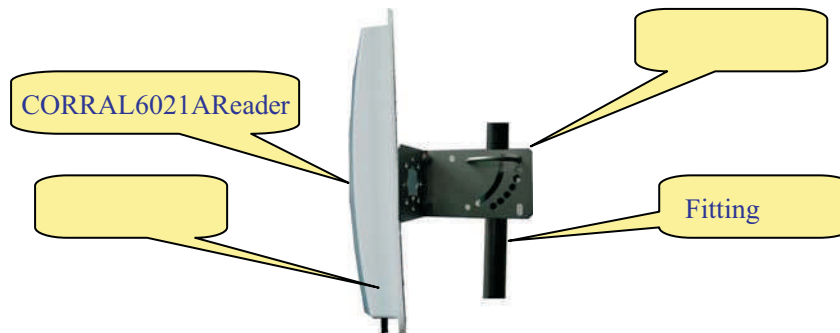
Picture 11 interface setting

This frame is used for setting the Wiegand interface parameter, Include Wiegand output times and signal format. Wiegand signal format needs setting Wiegand pulse breath (means low impulse breath) and code element cycle(means the time of a bit data)

After every function choosing,click"SET"button. The successful setting parameter will be effective when reader repositions. Suers can click"Restar"button to make reader reposition.

Fourth: The fitting of CORRAL6021A Reader

- 1) 1 fitting modes of the reader

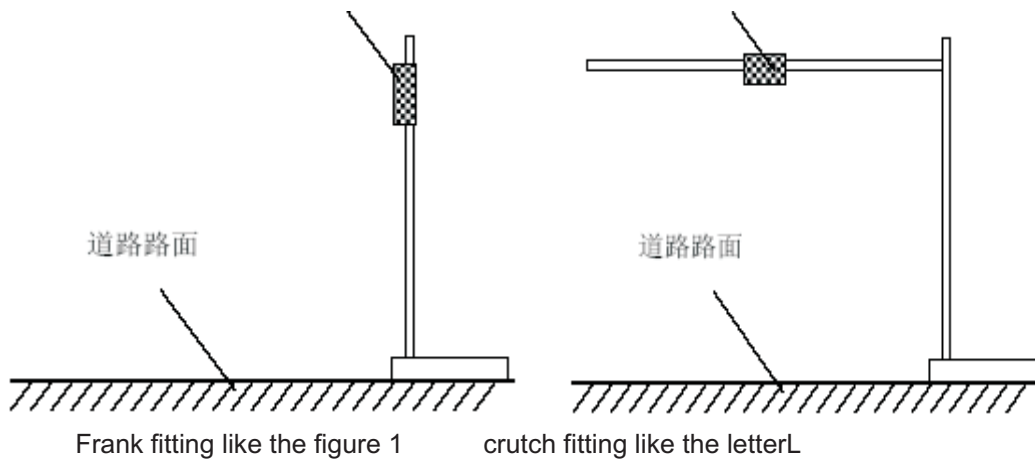


Picture 13skatch map of fitting effect

There are two kind of modes that CORRAL6021A crutch fitting: "frank fitting that like the figure 1" and "crutch fitting like the shape of letter L" as the following picture indicated They can be choose according to the application need and locale practice. Generally, the reading distance of frank fitting is nearer, but fitted simply, while crutch fitting farrer but complex.

CORRAL6021AReader

CORRAL6021A Reader



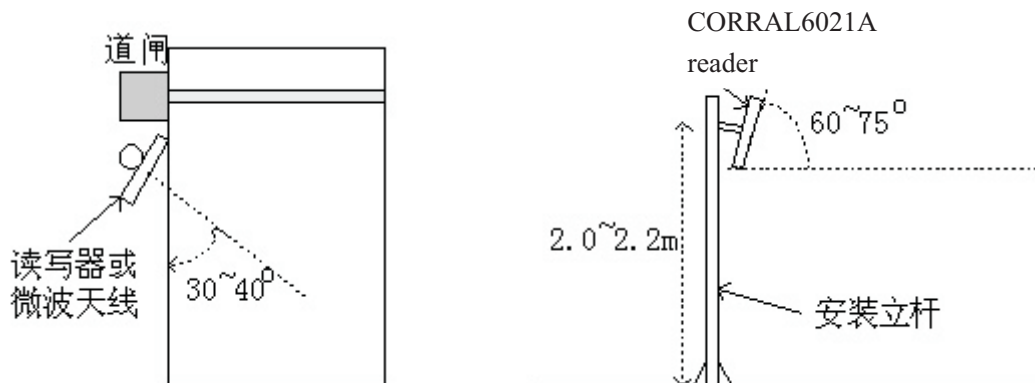
Picture 14 the fitting modes of the reader

2 the fixation and height adjustment of the reader

When frank fitting ,it demands that the crutch dia. of the reader 50 to 60mm while length 2.2m Using stain steel material that more than 1.3m thick is the best choice. Fix the reader to the top of the crutch with the self-provided fastening pin in the casing of CORRAL6021A reader .Adjust the height from the center of CORRAL6021A reader to the level of carriage way, according to the vehicle style(mainly indicates the oversize vehicle and landauter), generally about 2.0m(from 1.2m to 2.2m)

When crutch top fitting like the shape of letter L, it demands the dia. of L shape (or dragon-door shape) crutch is from 60 to 80mm,while rail dia.60 to 60mm.It is best to sue stain steel material that more than 12 to 20mm thick. Fix the CORRAL6021A reader to the rail that near the middle carriage drive. The height that the rail to the ground is needed to adjust from 3.5m to 4.0m, according to the height of vehicle

3 the azimuth adjustment of the reader



Picture 15 the sketch map of the azimuth angle adjustment of CORRAL6021A reader

Antenna angular: indicates the included angle between the antenna and level when the antenna inclines to the ground.

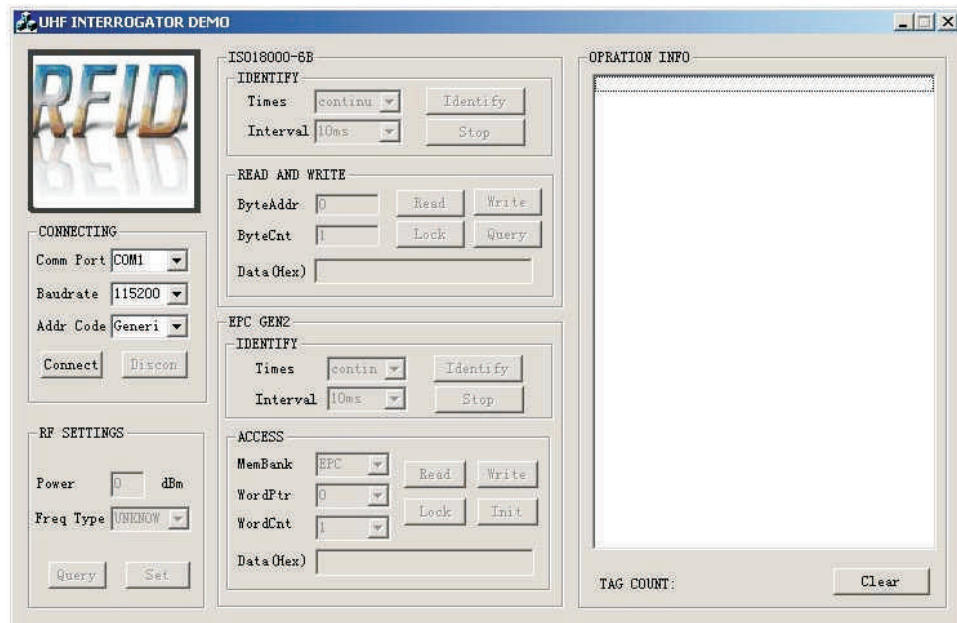
Azimuth angle of antenna: indicates the deviation angle when antenna deflects to the

direction of carriage drive.

Fifth: The demo program instruction pf CORRAL6021A

The demo program of the reader provides the contend of all kinds of operation to the tag and parameter setting of radio frequency Users can evaluate the function of the function of the reader through this demo program, of consid er to make the second exploitation of the reader.

The demo program of the reader includes "DEMO exe" and "MR915ApiV10.dll"Please put this two parts in the same file catalog ,then double click ,it will begin to circulate ,the interface is like the following picture indicated.



Picture16 demo software interface

Choose the COM communication port and baud rate you use, and choose the right reader address. Click "Connect" to establish connection with the reader .After successful connection, the right and left information frames will indicate the successful connection and the edition NO. of the reader firmware. And you can operate all demos

Sixth: the second exploitation of CORRAL6021A

Users can make the second exploitation to the application software reader according to the need. .We provide the exploitation bag basis on the C language ,which supports the environment of VC++,vb, Dephi and C+Buider and so on Please make reference to the <<NRreader SDK instruction>>about the use of exploitation tag.